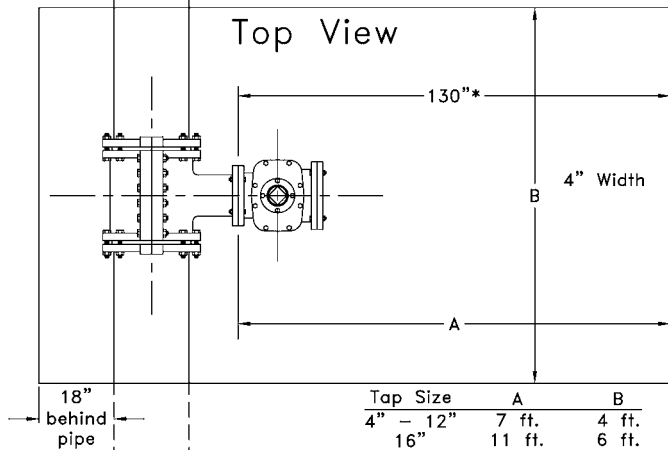


Top View



* Plus distance from center line of tapping sleeve to face of flange.

ground line

Side View

